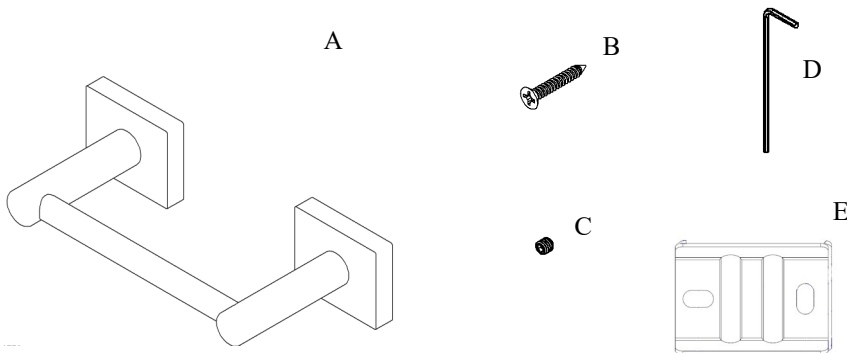


VOLKANO™

Volkano Crater Pivot Toilet Paper Holder Installation Guide

Code: V62073, V62074, V62075, V62076, V62078, V62079



Parts Included	QTY
A - Toilet Paper Holder	2
B - Screw	4
C - Set Screw	2
D - Allen Key	1
E - Bracket	2

Model #	Description	Finish	Weight (lb)	WxHxD (mm)	WxHxD (Inches)	Metal Type
V62073	Crater Pivot Toilet Paper Holder	Chrome	1	196 x 45 x 83	7 ²³ / ₃₂ X 1 ⁴⁹ / ₆₄ X 3 ¹⁷ / ₆₄	Brass
V62074	Crater Pivot Toilet Paper Holder	Brushed Nickel	1	196 x 45 x 83	7 ²³ / ₃₂ X 1 ⁴⁹ / ₆₄ X 3 ¹⁷ / ₆₄	Brass
V62075	Crater Pivot Toilet Paper Holder	Matte Black	1	196 x 45 x 83	7 ²³ / ₃₂ X 1 ⁴⁹ / ₆₄ X 3 ¹⁷ / ₆₄	Brass
V62076	Crater Pivot Toilet Paper Holder	Polished Nickel	1	196 x 45 x 83	7 ²³ / ₃₂ X 1 ⁴⁹ / ₆₄ X 3 ¹⁷ / ₆₄	Brass
V62078	Crater Pivot Toilet Paper Holder	PVD Brushed Gold	1	196 x 45 x 83	7 ²³ / ₃₂ X 1 ⁴⁹ / ₆₄ X 3 ¹⁷ / ₆₄	Brass
V62079	Crater Pivot Toilet Paper Holder	PVD Brushed Bronze	1	196 x 45 x 83	7 ²³ / ₃₂ X 1 ⁴⁹ / ₆₄ X 3 ¹⁷ / ₆₄	Brass

Warranty: 2 Years

Care & Maintenance: A periodic wash using warm water and a soft cloth will retain the high quality finish of your Volkano product for many years to come. ON NO ACCOUNT should any household bleaches, detergents, abrasive polishes, steel wool or other cleaning agents be used on this item.

