



Getting Started

Before installation, check the product for any shipping damages. If you find damages, do not install and contact your dealer or ICO.

Electrical Connections

All wiring should be done by a qualified licensed electrician

- ⚠ **Caution** Read and follow all instructions before continuing with installation.
- ⚡ **Danger** Shut off power before wiring the towel warmer.

IMPORTANT SAFETY INSTRUCTIONS

⚠ **Warning** To reduce the risk of burns, fire, electric shock or injury to persons. Use this towel warmer only for its intended use as described in these instructions. Do not use attachments not recommended by the manufacturer. Never drop or insert any object into any opening. **DO NOT USE OUTDOORS.**

GROUNDING INSTRUCTIONS

⚡ **Danger** All of our towel warmers are 110V and draw between 1.3 and 4.1 amps. Your electrician should decide as to whether the towel warmer needs a dedicated GFCI electrical circuit based on electrical guidelines within your region.

REQUIRED TOOLS & MATERIALS



Electric Drill



Level



Tape Measure



Phillips Screwdriver



1/8" Drill Bit



Pencil

PARTS FOR HARDWIRED INSTALLATION

Check that all items have been received. You should have received the following parts inside the box:



towel warmer

mounting bracket set (4x each)



bracket (B)



pin (C)



bracket collar (A)



set screw (E)

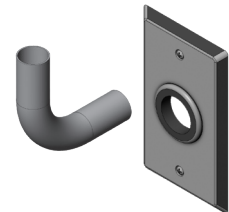
screw and wall anchor (x4)



allen key



hardware kit



programmable controller
(wall cover plate not included)

Note: The pin (C) might be inside the bracket (B) so you need to unscrew the set screw (E) to release the pin.

ROUGH-IN REQUIREMENTS

Towel warmer location

1. When determining the location of the towel warmer, consider:

- **Electric hardwire location**

The incoming power feed goes to a deep single gang electrical box (for the controller). This electrical box can be located anywhere in the room, although we recommend it be alongside your light switches.

A power feed then goes from the controller electrical box to a single gang electrical box (for towel warmer). The location of this electrical box determines the location of your towel warmer (see page 4).

- **Height of towel warmer from the floor**

There is no right or wrong height to mount the towel warmer but here is our recommendation:

Towel warmer height	Distance from floor to top of towel warmer
24"	48"
36"	54"
48"	60"
72"	84"

- *If installing near the shower area, please refer to your local electrical code for the required distance to mount the towel warmer from the shower.*

2. Measure and determine overall towel warmer dimensions as well as A, B & C (see Figure 1) before installation.

Model #	A	B	C	D	Product Dimension
W9510*	2 3/4" (70mm)	2 3/4" (70mm)	3 7/8" (100mm)	3 7/8" (100mm)	19 5/8" x 37" (500mm x 940mm)
W9570*	2 3/4" (70mm)	2 3/4" (70mm)	3 7/8" (100mm)	3 7/8" (100mm)	19 5/8" x 60 1/2" (500mm x 1540mm)

*See page 4 or download the specific model's tech spec sheet on our website for other measurements

Caution:

- Do not install the towel warmer upside down.
- Towel warmer must be securely mounted to the wall before operation. Wall studs or plywood backing is required at all bracket locations due to the weight of Tuzio towel warmers. (See next page for bracket locations for your specific size).

Always use your actual measurements for accuracy.

All dimensions and specifications are approximate and may vary without prior notice.

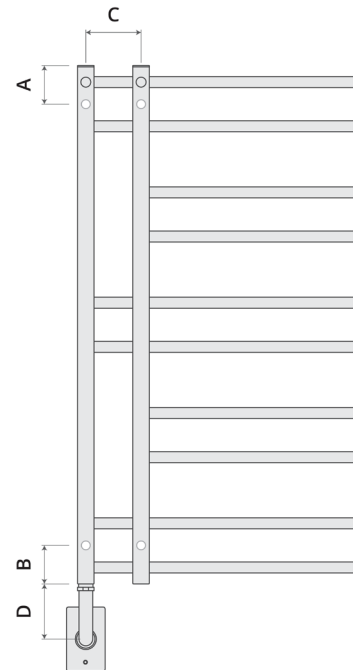


Figure 1

A - vertical distance from the top of the towel warmer to the center point of top mounting bracket

B - vertical distance from the bottom of the towel warmer to the center point of bottom mounting bracket

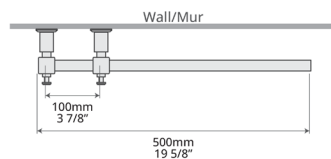
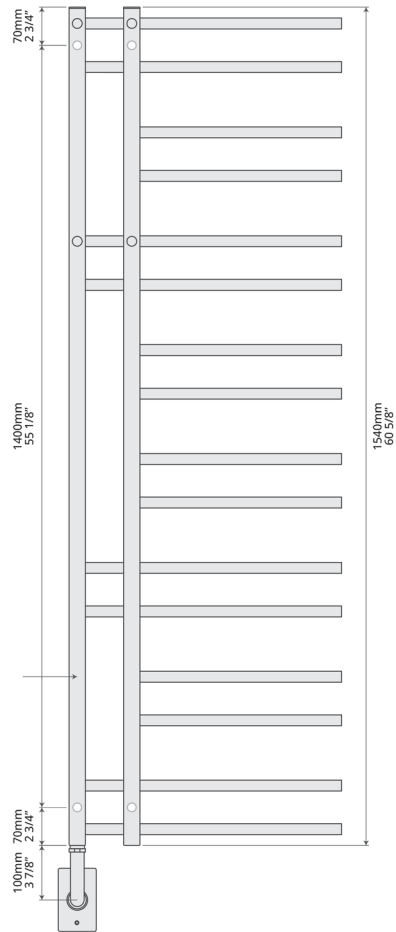
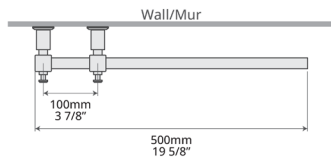
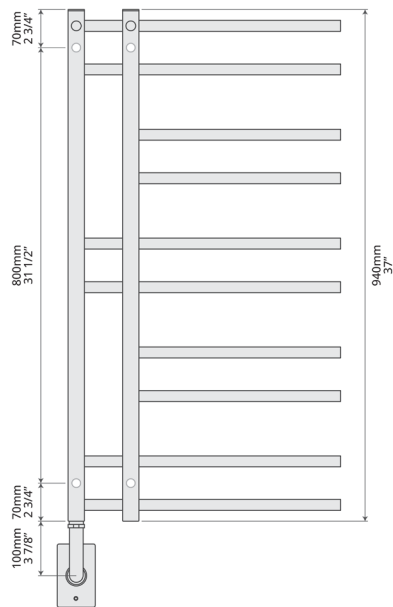
C - horizontal distance between center point of the left and right mounting brackets

D - vertical distance from the bottom of the towel warmer to the center point of the hardware kit

PRODUCT DIMENSIONS

W9510

W9570



INSTALLATION INSTRUCTIONS

Mounting the Towel Warmer

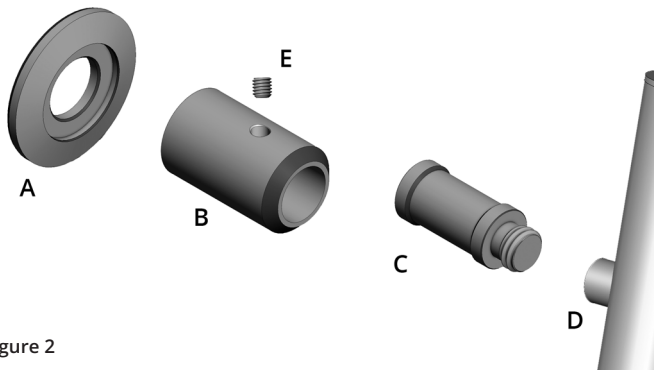
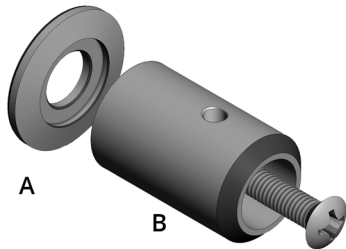
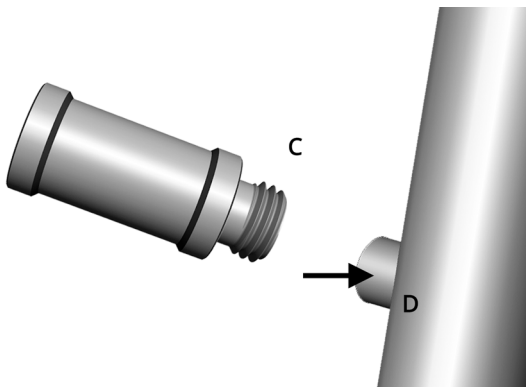


Figure 2

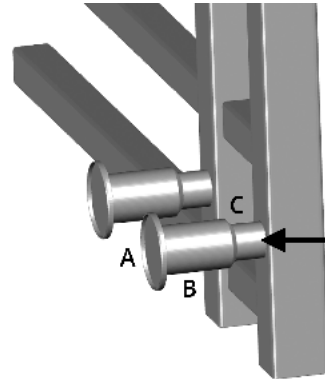
1 Fix bracket (B) including collar (A) to the wall using the screws provided (see bracket locations in pages 3&4).



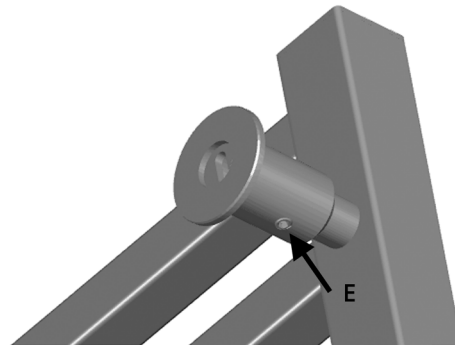
2 Screw the pin (C), into the threaded bushing (D) at the back of the towel warmer.



3 Hang the towel warmer by inserting the pins (C) into the brackets (B).



4 Adjust the towel warmer using set screws to lock the pins in the brackets. Ensure the towel warmer is firmly and safely fixed.



Note:
The brackets are adjustable (projection from the wall) based on preference or location. Rotate the brackets (B) for set screw's preferred location (either for easy access or aesthetic).

INSTALLATION INSTRUCTIONS

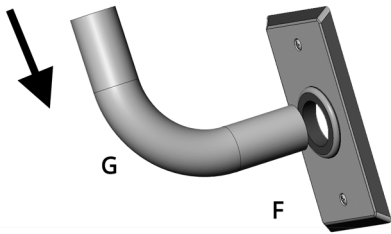
Electric hardwired connection

Caution:

Do not connect the towel warmer to the power supply until all instructions have been read and installation is complete.

The heating element conforms to UL standards and the unit to CSA standards (File ref: 229718). Ensure the CSA label is visible.

- 1 Feed the electrical cord located at the bottom of the towel warmer first through the round tube G and then through the cover plate F.



- 2 Complete all electrical connections as shown below.

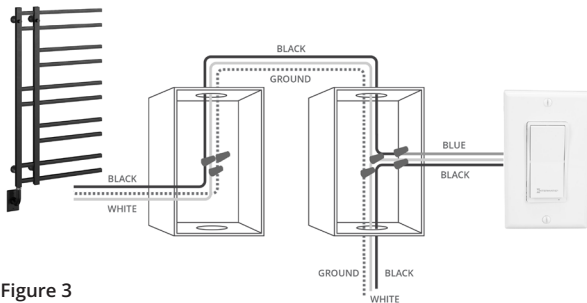
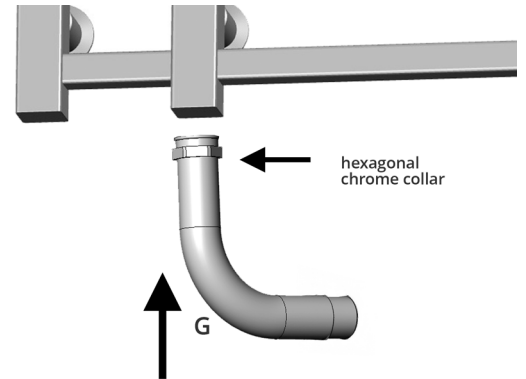
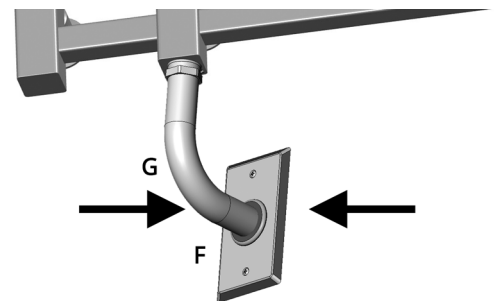


Figure 3

- 3 Fit tube G over towel warmer element sleeve until it meets the hexagonal chrome collar.



- 4 Push cover plate F onto tube. Screw cover plate to electric box with the enclosed screws. Adjust where necessary.



Warning:

In case of damage or failure of the towel warmer, the unit should be returned to the manufacturer or their distributor.

The warranty is NOT VALID in case of improper use or installation.

Product is designed for use within Canada and the United States only.

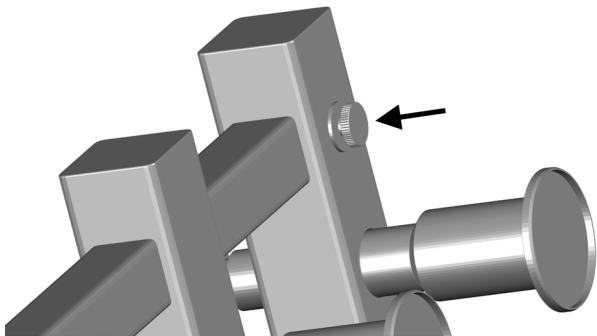
INSTALLATION INSTRUCTIONS

Prep your towel warmer

After installation is complete, turn your towel warmer on.

After 30 minutes, use the bleed screw (can be found at the back of the towel warmer, near the top of the right bar) to let out any excess pressure inside the unit.

Repeat after another 30 minutes to let any additional pressure out.



Congratulations! Your towel warmer is now ready for use.

OPERATION & MAINTENANCE INSTRUCTIONS

Operating your towel warmer

The Wi-Fi Smart Switch (included) is the smart choice for a modern lifestyle

- Turns towel warmer on and off using schedules, timers, and smart automations
- Remote Mobile Access
- Smart Home functionality works with Alexa, Google Home, and Siri
- Can also function as a manual ON/OFF switch

Check out the the separate installation guide for the Wi-Fi Smart Switch.

IMPORTANT:

All Tuzio towel warmers have an internal thermostat which regulates the towel warmer temperature at a consistent level. Your towel warmer will not overheat even if operates 24/7.

The surface temperatures of our towel warmers are regulated between 45°-60°C (113°-140°F), depending on the finish, size, and model. They cannot be manually adjusted or customized.

Towel warmer usage

1. Our towel warmers are designed for both damp and wet towels. Clothing including robes and swim suits, both damp and wet, are also safe.
2. Our smaller models are good for 2 hand towels or 1 bath towel, and our largest models can hold up to 3 full size bath towels.

Note: The Trento collection is equipped with hooks for which to hang your towels/clothing and capacity is based on the number of hooks (varies per size option).

3. There is no right or wrong way of hanging towels (or clothing). It will not affect the performance of our towel warmers; your towel/clothing might just take longer to dry.

Maintenance

Care & Maintenance:

A periodic wash using warm water, and a soft cloth will retain the quality of your LED mirror for many years to come. ON NO ACCOUNT should any household bleaches, detergents, abrasive polishes, steel wool or other cleaning agents be used on this item.

Warranty:

Tuzio towel warmers have a lifetime warranty, including the heating element and digital timer (if included). This lifetime warranty is limited to the original homeowner. During the warranty period, ICO covers all parts and labour. All warranty-related work (excluding installation) is completed in-house. ICO does not cover field labour. Proof of purchase is required to claim warranty.