






## Getting Started

Before installation, check the product for any shipping damages. If you find damages, do not install and contact your dealer or ICO.

## Electrical Connections

**All wiring should be done by a qualified licensed electrician**

-  **Caution** Read and follow all instructions before installing this LED mirror.
-  **Danger** Shut off power before wiring the mirror.
-  **Warning** Requires 120VAC 20 Amp GFI protected circuit.

## IMPORTANT SAFETY INSTRUCTIONS

### **Warning**

To reduce the risk of burns, fire, electric shock or injury to persons. Use this furnishing only for its intended use as described in these instructions. Do not use attachments not recommended by the manufacturer. Never drop or insert any object into any opening. Do not use outdoors.

### GROUNDING INSTRUCTIONS

### **Danger**

Risk of electric shock. Connect this furnishing to a properly grounded circuit only.

This product must be connected to a grounded metal, permanent wiring system, or an equipment-grounding conductor must be run with the circuit conductors and connected to the equipment-grounding terminal or lead on the product.

For an electrical hardwire option, the LED mirror must be wired to a 20 Amp GFI (Ground Fault Interrupter) protected circuit when used in bathrooms and all other locations as per your respective local Electrical Code.

### Required Tools and Materials



### Parts Included



### Mirror Installation

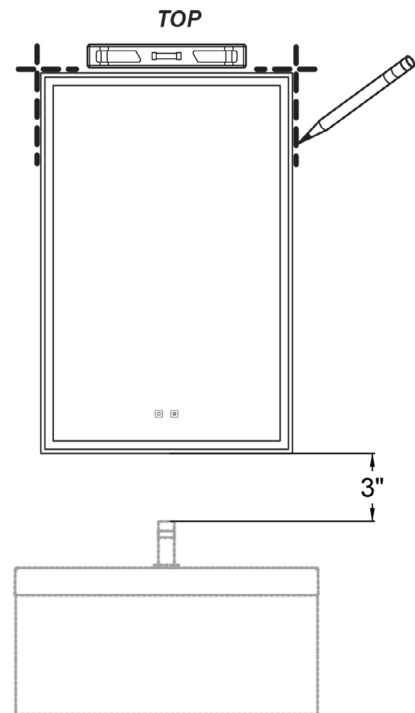
**1** Unpack your mirror and set it on the floor – ensure you lay out floor protection – cardboard, towel etc.

**2** Measure mirror dimensions before proceeding with installation.

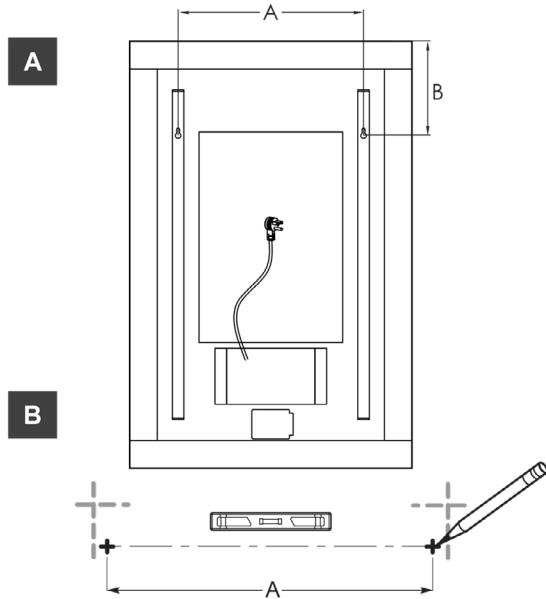
\* All dimensions in the Technical Specifications Sheet are approximate and may change without notice.

**3** Mark the position of the mirror on the wall.

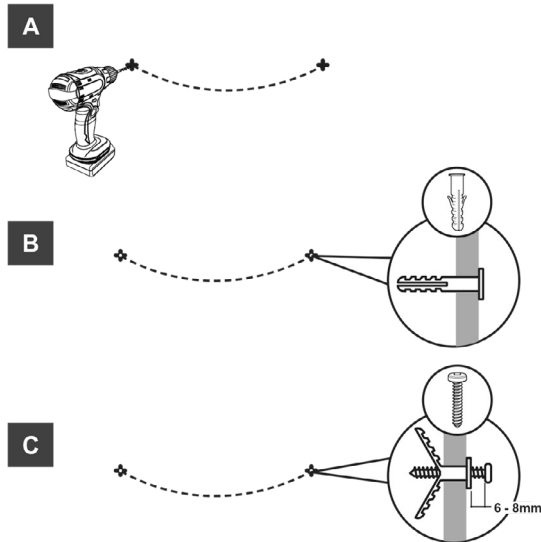
Keep at least 3" distance between the bottom end of the mirror and the top of the faucet (if installed over a sink or vanity top).



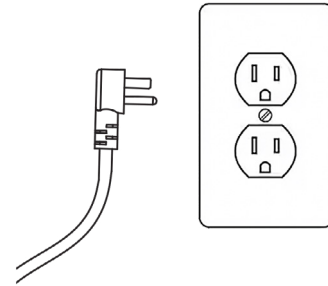
- 4 Measure the center of the holes (A) and mark the drilling locations. Ensure the mirror is level (B).



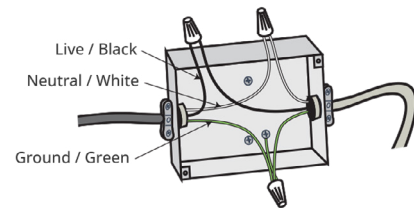
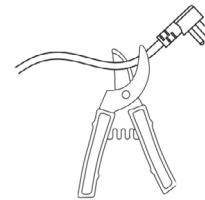
- 5 Predrill and install drywall anchors. Screw the supplied screws into the anchors. Leave a gap of 6-8mm between the head of the screw and the wall.



- 6 For plugin installation - plug in the mirror to the grounded outlet.



For hardwired installation - cut off the power plug, then use the wire connector to connect to external power supply.

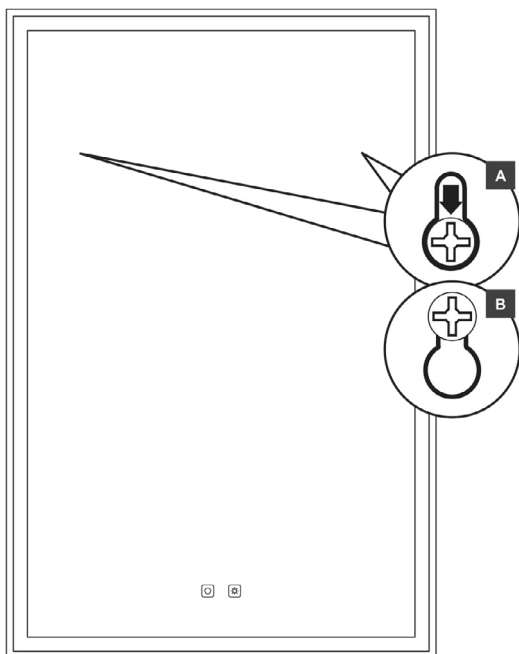


\*Junction box is not included




Make connection | Neutral to white  
Live to black  
Ground to green

Both installation options can be connected and controlled with a light switch.

- 7 Place the mirror against the wall (and the screws) and slide down as shown in B.



### Operating Instructions

-  Touch to turn light and defogger on/off. (The heating pad/defogger auto turns off after one hour).
-  Press and hold to adjust color temperature.
-  Press and hold to adjust the brightness. Touch will increase/decrease the brightness in 10% increments.

This LED mirror has brightness and color temperature memory settings capability. Turning off (whether through touch or light switch) saves the last settings used.