



Features:

- Acrylic diffused LED front and back lighting
- CRI 90+ R9>50
- 2700K-6500K color temperature adjustment
- 10%-100% light dimmer
- Brightness and color temperature memory settings
- Heated mirror defogger
- Touch on/off
- Safety film backing
- Copper free
- IP44 rated for safe use in bathrooms
- ETL certified for North American use
- 110V plug in installation, can be hardwired
- Can be controlled with a light switch
- Lamp life : 50,000 hours

Size (WxHxD):

39 3/8" x 39 3/8" x 1 1/8"
 (1000mm x 1000mm x 30mm)

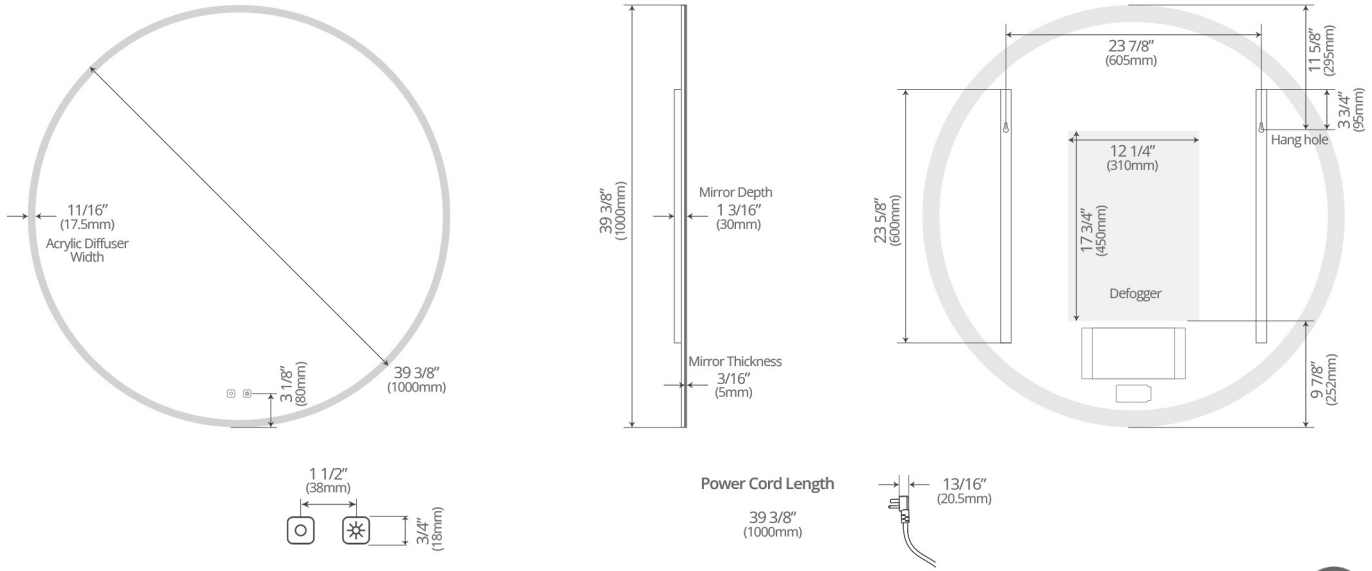
| Model # | Description | Color Temperature | Lumens | Watts | Volts | Weight (lb) |
|---------|------------------------|-------------------|--------|-------|-------|-------------|
| IB1040 | Bennett 40" LED Mirror | 2700K - 6500K | 3300 | 23W | 110V | 25.8 |

Warranty: 5 Years - refer to www.icobath.com for full warranty coverage details.

Included Hardware: Screws, mounting brackets are included.

Care & Maintenance: A periodic wash using warm water and a soft cloth will retain the quality of your LED mirror for many years to come. ON NO ACCOUNT should any household bleaches, detergents, abrasive polishes, steel wool or other cleaning agents be used on this item.

Diagram and measurements:



Touch button details:

