

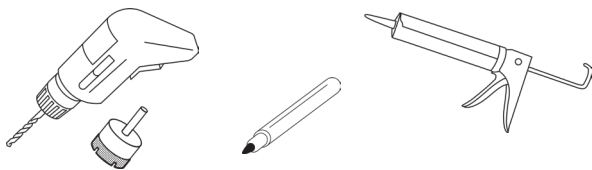
Getting Started

Before installation, check the product for any shipping damages. If you find damages, do not install and contact your dealer or ICO.

All countertop drilling should be done by a professional.



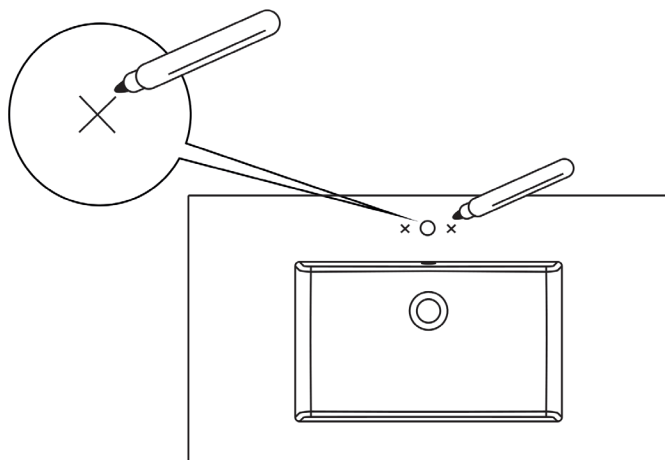
Required Tools and Materials



Sink Top Installation

- 1 If adding holes for widespread faucet, prepare cut out and drill accordingly first.

Otherwise proceed to step 2.



- 2 Silicone the top edges of the vanity, and place sink top – allow time for silicone to dry and cure.

