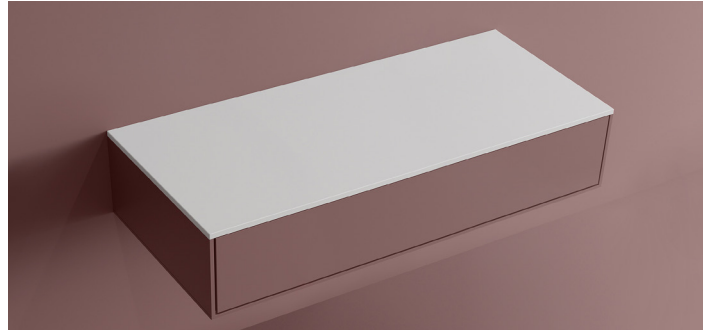


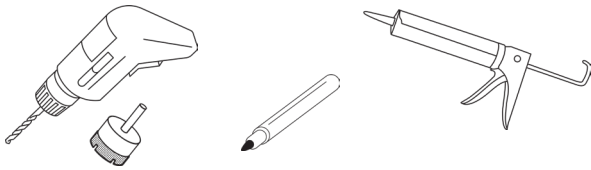
Getting Started

Before installation, check the product for any shipping damages. If you find damages, do not install and contact your dealer or ICO.

All countertop drilling should be done by a professional.

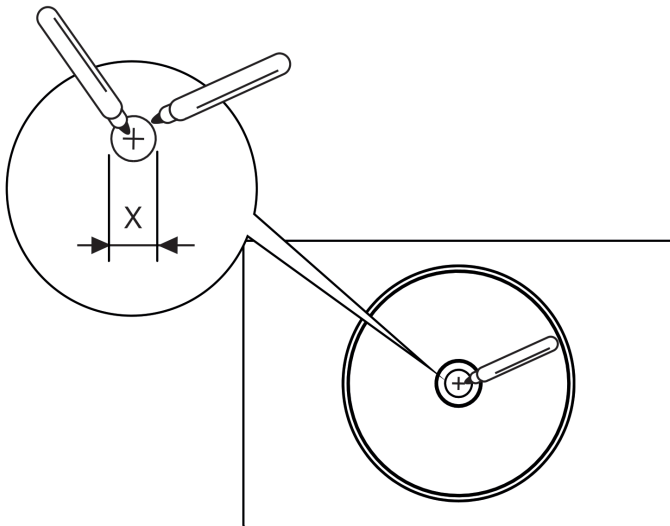


Required Tools and Materials

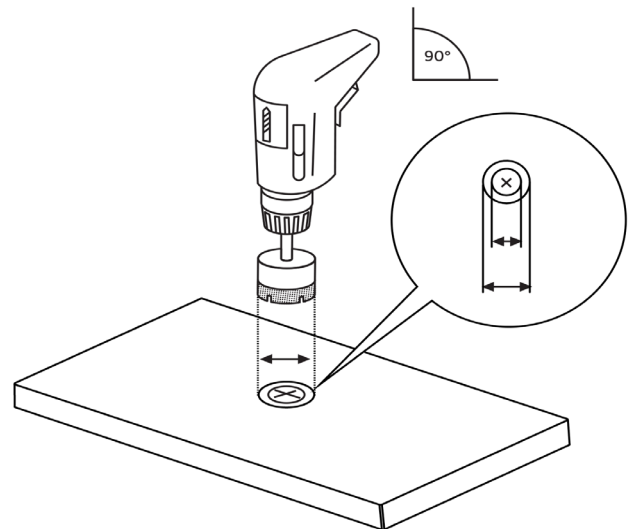


Vanity Top Installation

- 1 At the drain location, mark the cutout on the counter (as per vessel sink specification and installation guide).



- 2 Cut out the vanity countertop.



- 3 Silicone the top edges of the vanity, and place top - allow time for silicone to dry and cure.

