

### FINISHES



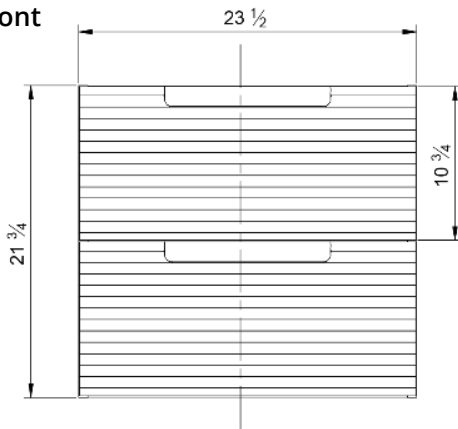
**Warranty:** 2 Years

**Material Specifications:** Coda vanities are made from a water-resistant pine chip board with an MDF material drawer front. The interior has a textured finish.

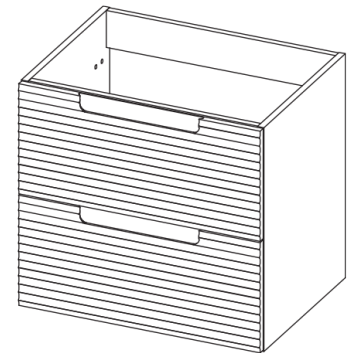
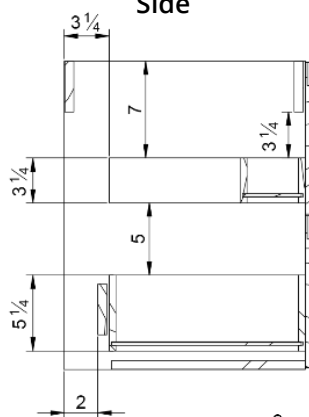
**Care & Maintenance:** Warm water and soap can be used to clean your vanity. Avoid harsh chemicals. Surfaces may be cleaned with standard non-abrasive cleaning agents.

Model #	Description	Finish	Weight (lbs)	WxHxD (mm)	WxHxD (inches)
BC1001.AGR	Coda 24" Two Drawer Wall-Mounted Vanity	Ash Grey	46	594 x 550 x 450	23 3/8 x 21 3/4 x 17 3/4"
BC1001.MWR	Coda 24" Two Drawer Wall-Mounted Vanity	Matte White	46	594 x 550 x 450	23 3/8 x 21 3/4 x 17 3/4"
BC1001.SBR	Coda 24" Two Drawer Wall-Mounted Vanity	Steel Blue	46	594 x 550 x 450	23 3/8 x 21 3/4 x 17 3/4"
BC1001.SGR	Coda 24" Two Drawer Wall-Mounted Vanity	Sage Green	46	594 x 550 x 450	23 3/8 x 21 3/4 x 17 3/4"

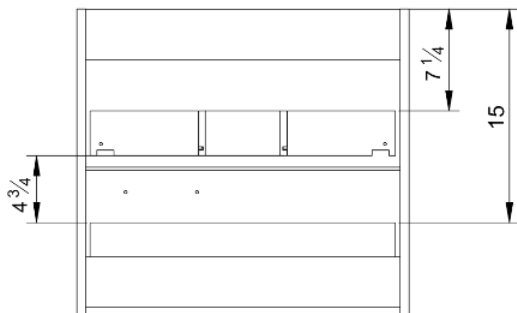
Front



Side



Back



Top

