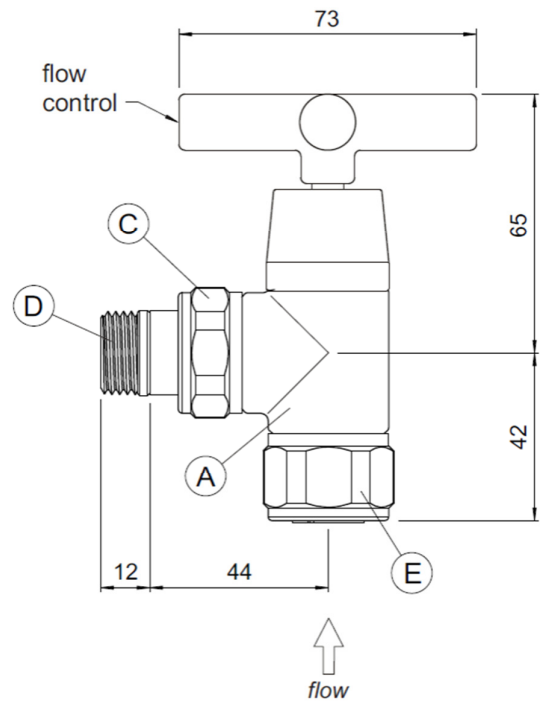
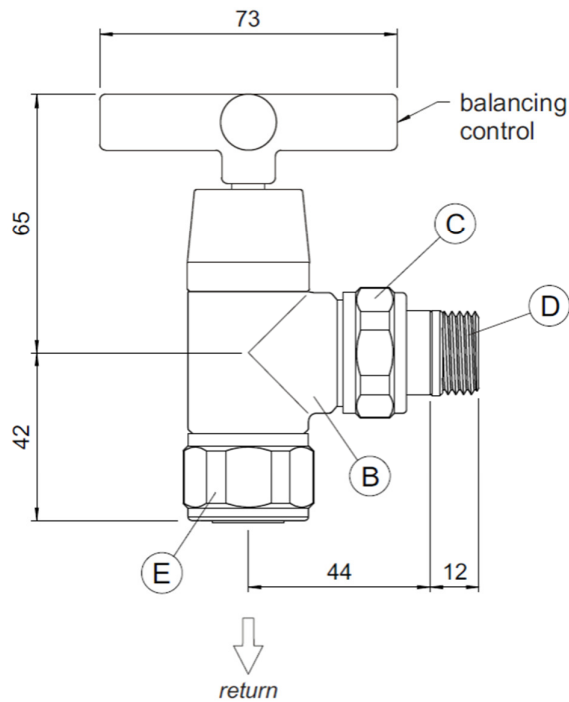


TUZIO®

Tools & Materials Required

Allen Key - 12mm
Wrench - 29 mm
Adjustable Wrench

Key	Component	Qty
A	Manual Body (flow)	1
B	Manual Body (return)	1
C	Nut	2
D	Valve Tail (1/2" BSP)	2
E	Compression Fitting (16mm)	2
F	Balancing Cap	1



Assembly Instruction

Fit valve tails (D) to radiator using 12mm Allen Key, ensuring nut (C) is in place.

Note: over-tightening of valve tails may cause damage to surface finish of radiator connections. Do not use grips.

Loosen compression fittings (E) and apply valve bodies (A) & (B) to 15mm pipe tails.

Install radiator onto bracket mountings and tighten valve tails (D) onto valve bodies (A) & (B).

Tighten compression fittings (E).

After filling and venting radiator, remove balancing cap (F) and adjust balancing control to balance radiator