

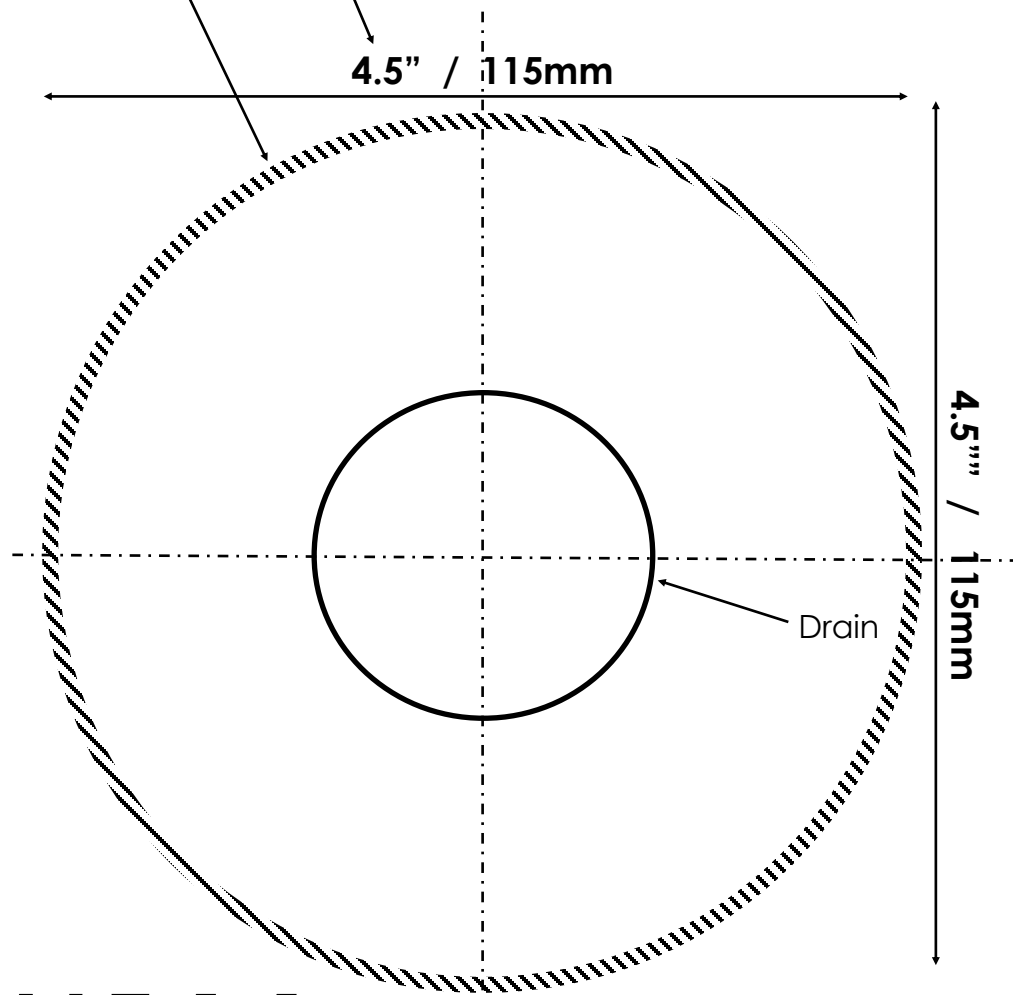
Step 1: Do you have the right template?

Step 2: Have you printed the template to the correct scale? To confirm, check the measurements on this template.

Step 3: Cut out the template.

Step 4: Use this template to mark and cut the sink hole in your counter.

Cut-out Template For:
B8811 Allegri



SCALE 1:1
(Print on 8.5"x11" Paper)

Have questions?

Contact us:

877-757-8930

cs@icobath.com

www.icobath.com