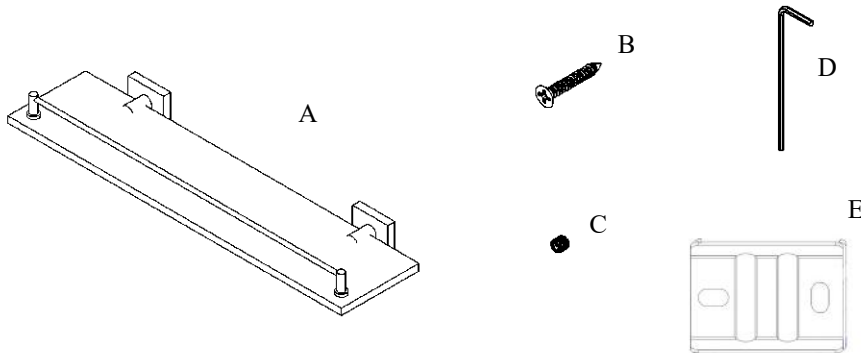




Exhilarating by Design

Volkano Crater Glass Shelf Installation Guide

Code: V62763, V62764, V62765



Parts Included	QTY
A - Shelf	1
B - Screw	4
C - Set Screw	2
D - Allen Key	1
E - Bracket	2

Model #	Description	Finish	Weight (lb)	WxHxD (mm)	WxHxD (Inches)	Metal Type
V62763	Crater Glass Shelf	Chrome	3.344	520 x 57 x 141	20.5 x 2.25 x 5.5	Brass
V62764	Crater Glass Shelf	Brushed Nickel	3.344	520 x 57 x 141	20.5 x 2.25 x 5.5	Brass
V62765	Crater Glass Shelf	Matte Black	3.344	520 x 57 x 141	20.5 x 2.25 x 5.5	Brass

Warranty: 2 Years

Care & Maintenance: A periodic wash using warm water and a soft cloth will retain the high quality finish of your Volkano product for many years to come. ON NO ACCOUNT should any household bleaches, detergents, abrasive polishes, steel wool or other cleaning agents be used on this item.

